

Quick Start Guide

Welcome! Let's get started.

To start using your NVR, you need the following:

1. A high-definition TV capable of displaying 1080p or 4K video. Look at the ports on the back of your TV to make sure it has an HDMI input.

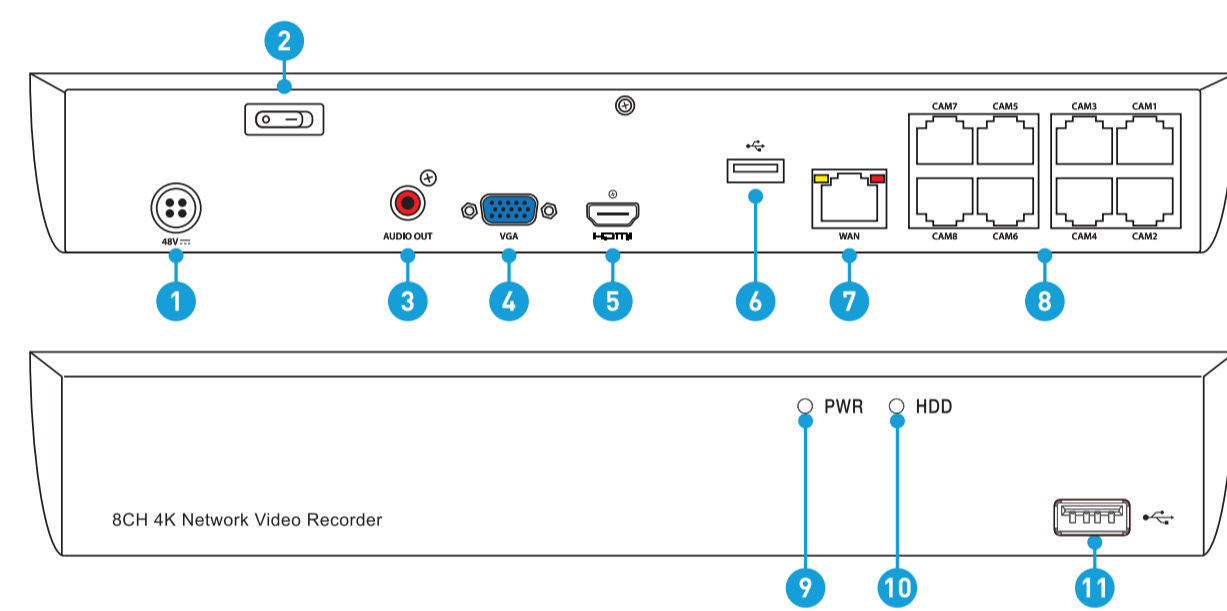
2. A router with a broadband internet connection.

3. A mobile device (Android or iOS) to download the free **RXCamView** app.

Carefully unpack each item and discard any packaging not required.

Getting to know your NVR

Congratulations on the purchase of your 4K NVR. This Quick Start Guide will assist you on getting your NVR up and running as soon as possible. To make sure nothing was damaged during shipping, we recommend that you connect everything and give it a try before you do a permanent installation.



- 1. Power Input
- 2. Power Switch
- 3. Audio Output
- 4. VGA Port
- 5. HDMI Port
- 6. USB Port
- 7. Ethernet Port
- 8. Camera Inputs
- 9. Power LED
- 10. Hard Drive LED
- 11. USB Ports

Your NVR is designed to ventilate air to keep it at an optimal temperature. Keep both sides of your NVR free from obstructions to allow it to ventilate.

Look out for the light bulb icon for tips on the operation of your NVR.

What does this mean?

- 1. **Power Input:** Connect the 48V power adapter here.
- 2. **Power Switch:** Press the switch to turn on your NVR.
- 3. **Audio Output:** For connecting to a stereo or amplifier. This is not required when using the HDMI port.
- 4. **VGA Port:** Connect this to your monitor with a VGA input (VGA cable not supplied). This is not required when using the HDMI port.
- 5. **HDMI Port:** Connect this to your TV with a HDMI input.
- 6. **USB Port:** Connect your mouse here.
- 7. **Ethernet Port:** Connect this to your router so your NVR can connect to the internet.
- 8. **Camera Inputs:** Using the provided Ethernet cables, connect your cameras here.
- 9. **Power LED:** Indicates your NVR has power.
- 10. **Hard Drive LED:** Flashes when the hard drive is active.
- 11. **USB Ports:** Connect a USB flash drive to either port to copy recorded events or to perform a firmware upgrade.

FCC Warning Statement:

This device complies with part 15 of the FCC Rules. Operation is subject to the following two conditions: (1) This device may not cause harmful interference and (2) this device must accept any interference received, including interference that may cause undesired operation.

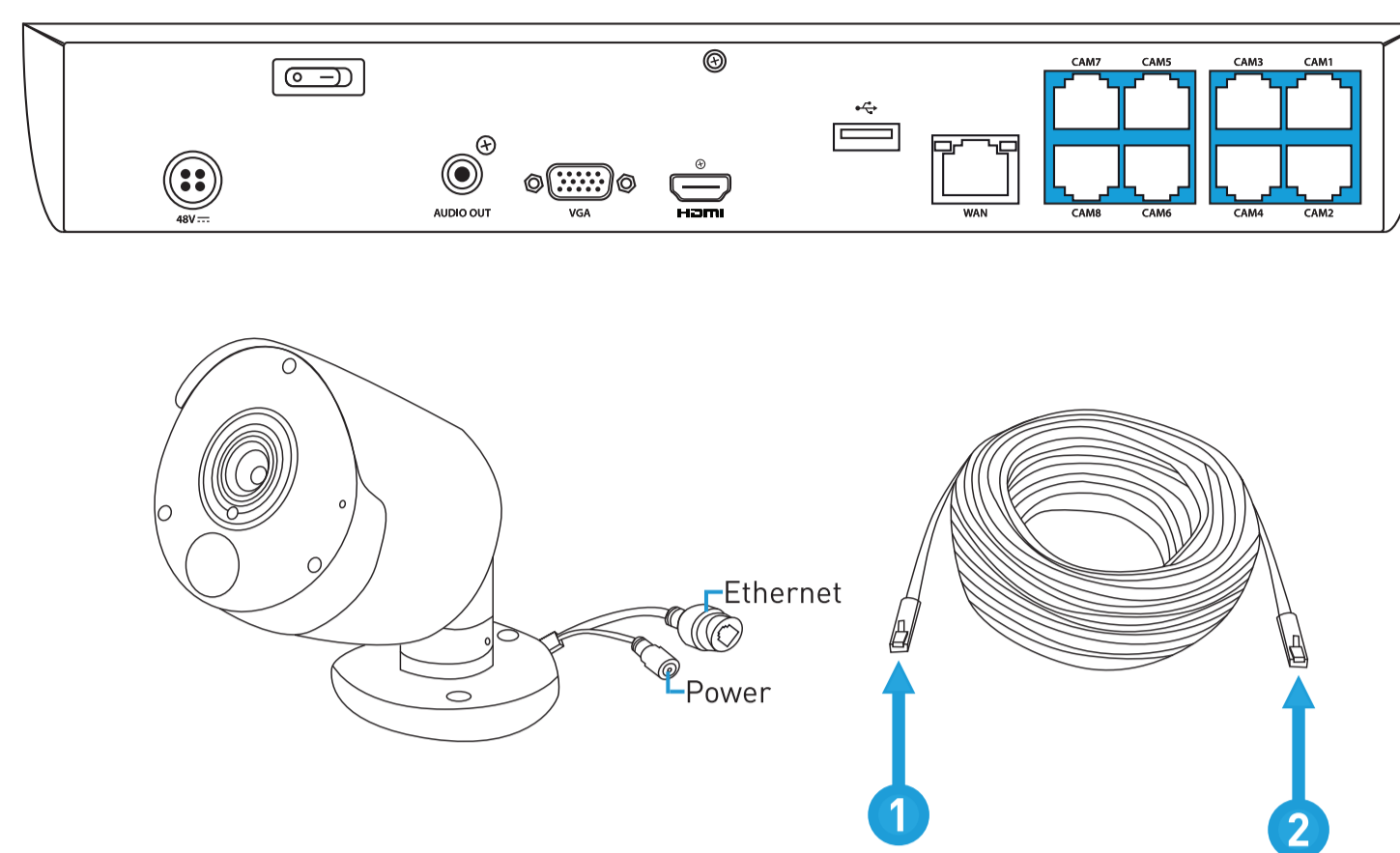
Battery Safety Information:

This product contains a coin or button cell battery. If the cell battery is swallowed, it can cause severe internal burns and can lead to death. Keep away from babies and small children at all times.

- If the battery is swallowed, immediately seek medical help
- Risk of explosion if battery is replaced by an incorrect type
- Dispose of used battery properly

Step One: Connect your Cameras

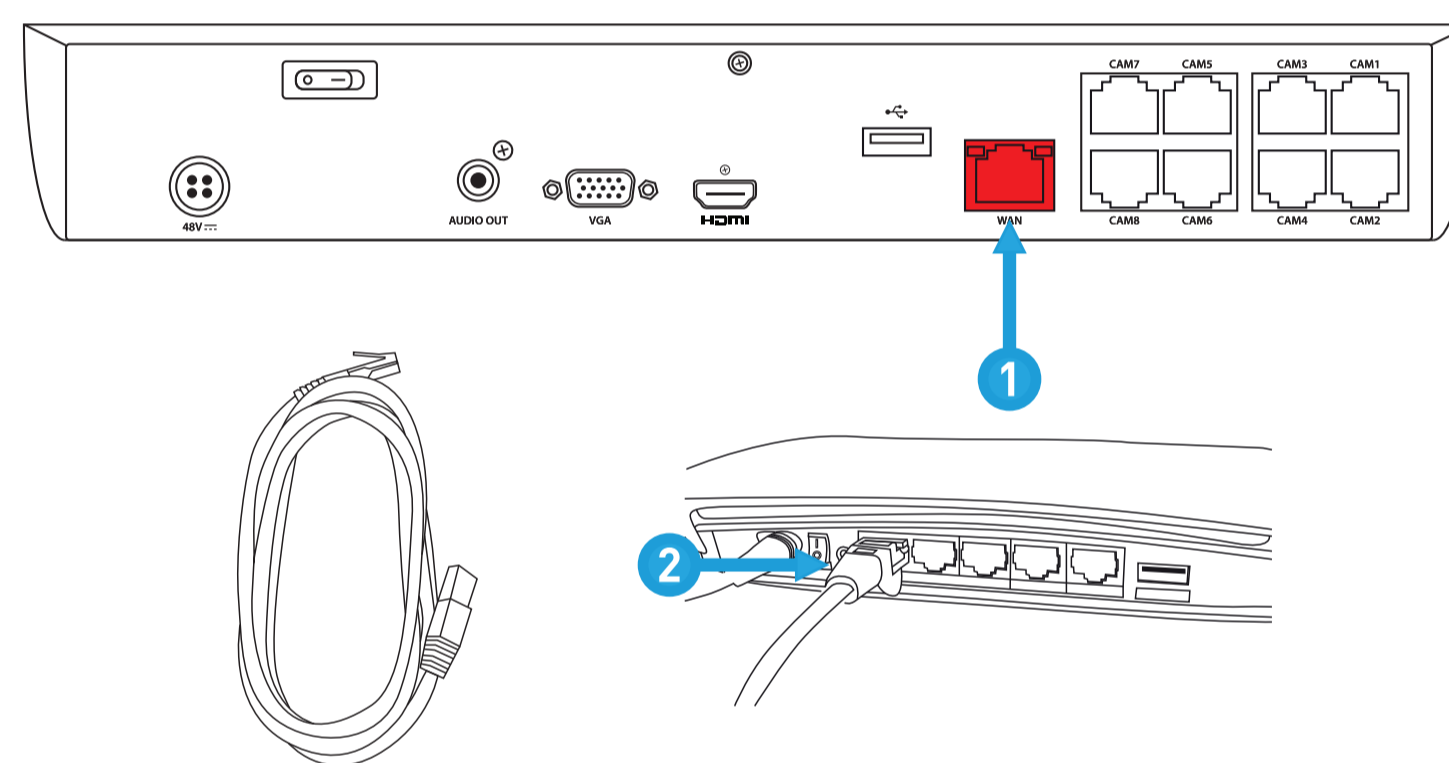
Connect the supplied Ethernet cable (1) to the Ethernet connection on the camera then plug the other end of the cable (2) into one of the camera inputs.



Please note: The NVR will provide power over the Ethernet cable when connected. To adjust the camera angle, the bullet camera has three points of articulation. Turn over the guide for more information.

Step Two: Connect to your Home Network

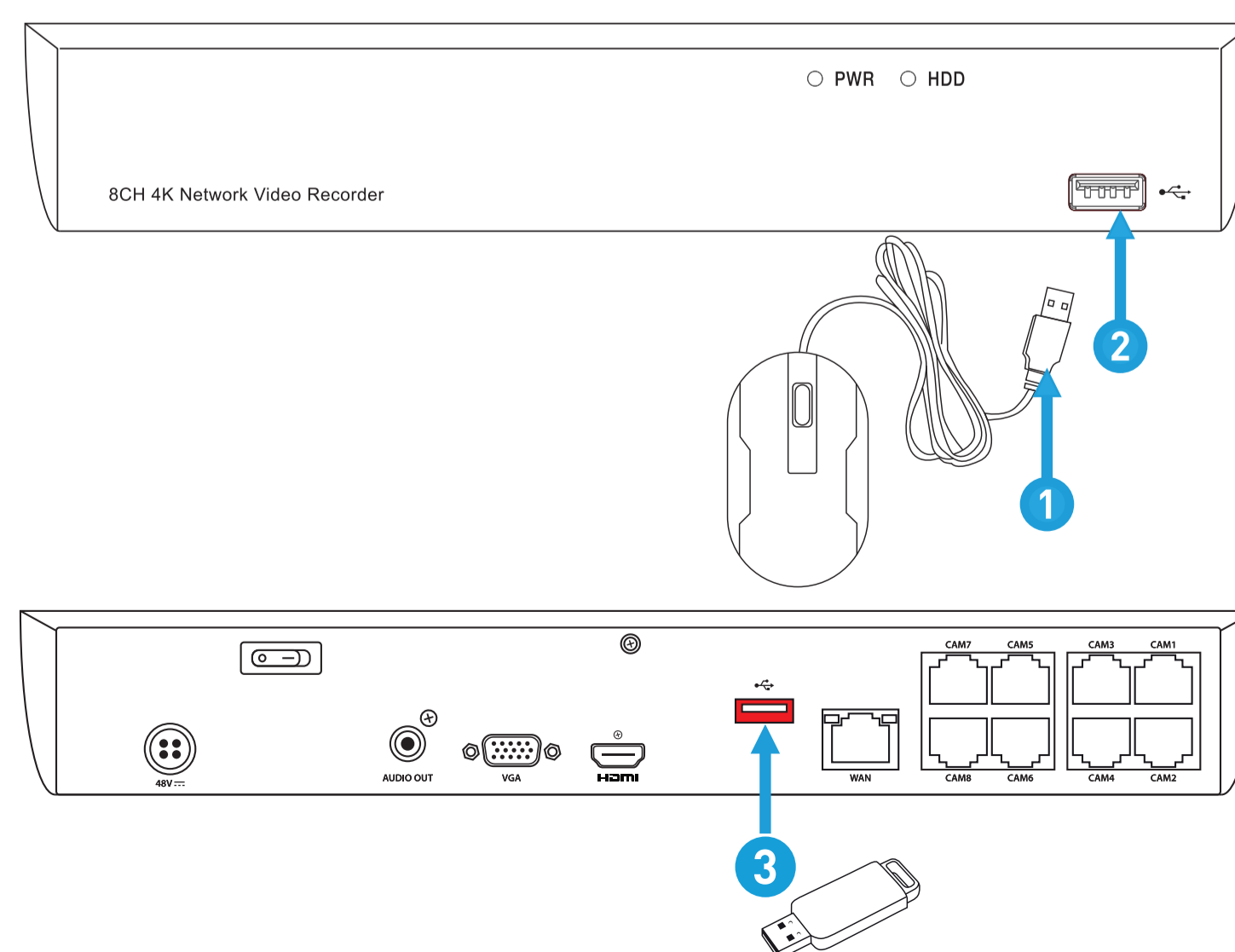
Connect the supplied Ethernet cable to the Ethernet port (1) then connect the other end to a spare port (2) on your router. Don't proceed to the next step until this is done.



Please note: It's important that you do this as this allows your NVR to send email alerts, synchronise its internal clock and to view your cameras remotely using the **RXCamView** app.

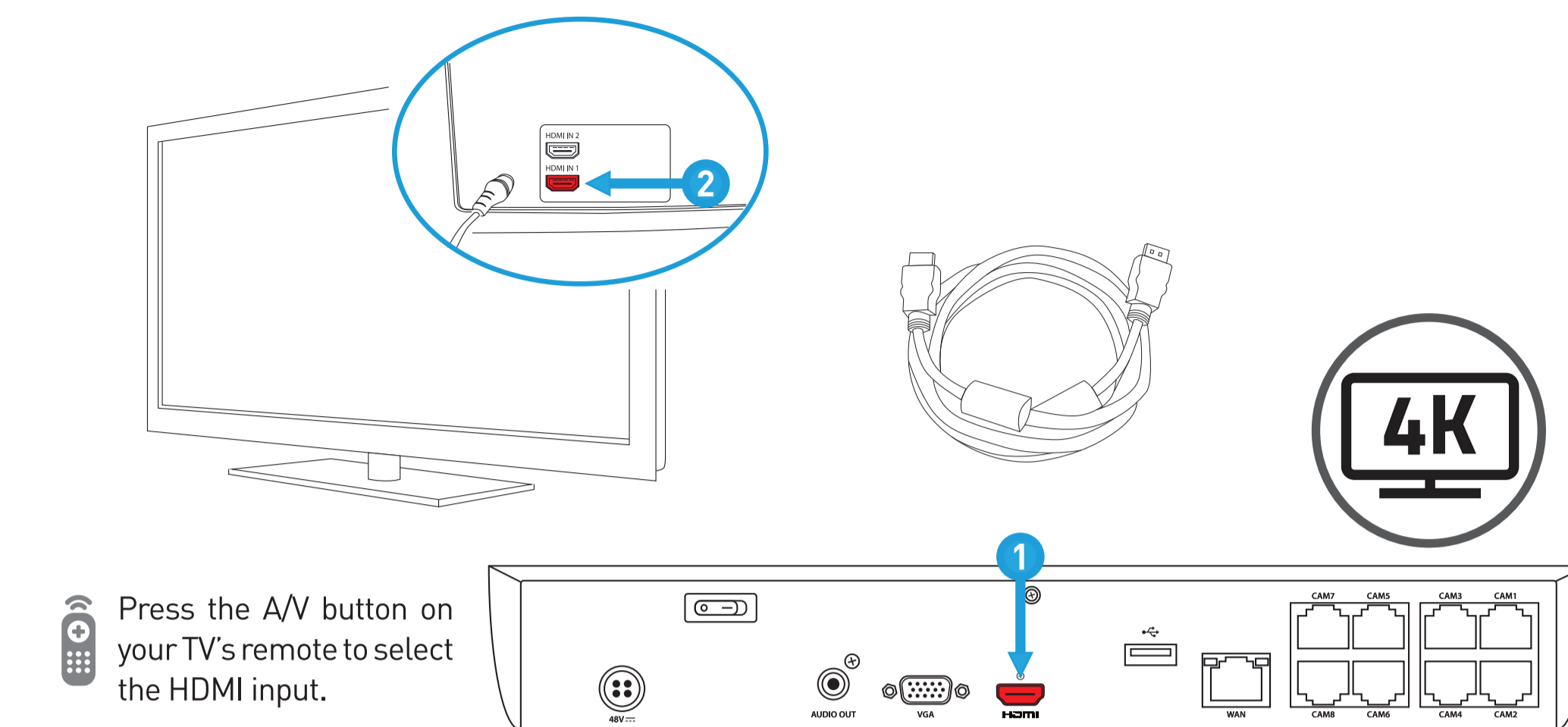
Step Three: Connect your Mouse

Connect the supplied mouse (1) to the USB port (2) located at the rear. To copy recorded events and to perform a firmware upgrade, connect a storage device such as a USB flash drive (not included) to one of the front ports(3).



Step Four: Connect to your TV

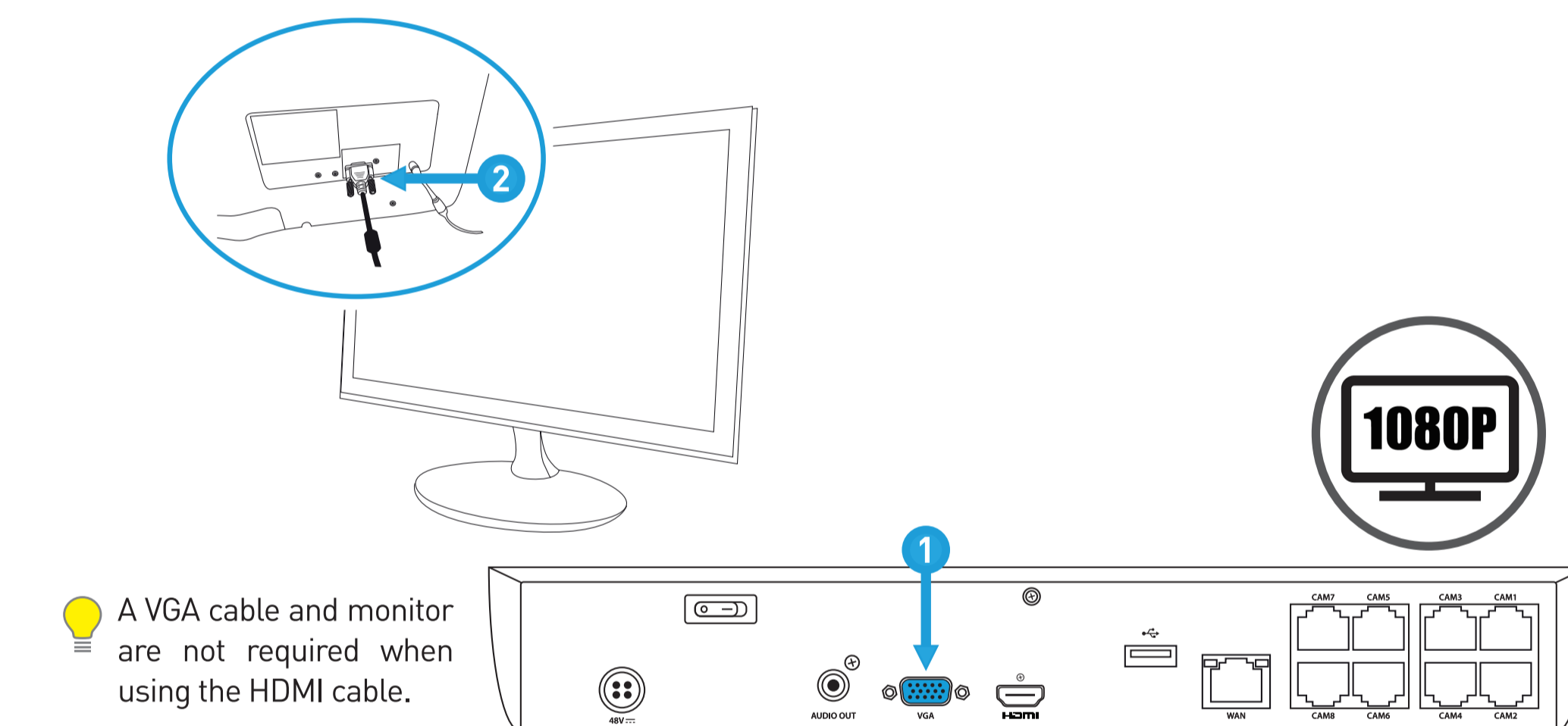
Connect the HDMI cable (not included) to the HDMI port (1) then connect the other end to a spare HDMI input (2) on your TV. The labels on the back of your TV indicate which input you need to select when your NVR is turned on.



Press the A/V button on your TV's remote to select the HDMI input.

Step Five: Connect to your Monitor

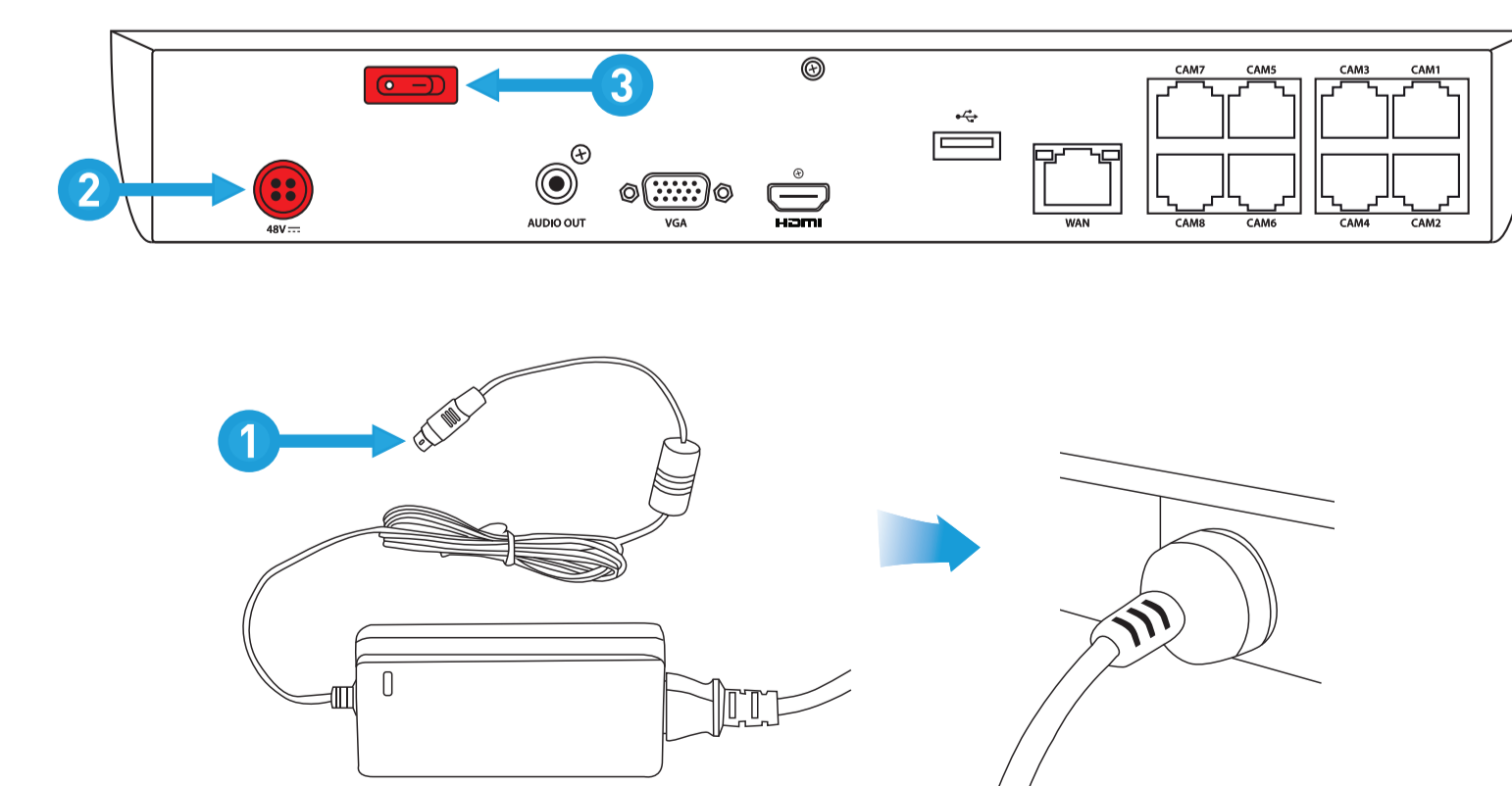
If you have a monitor with a VGA connection, connect a VGA cable (not supplied) to the VGA port (1) then connect the other end to the VGA input (2) on your monitor.



A VGA cable and monitor are not required when using the HDMI cable.

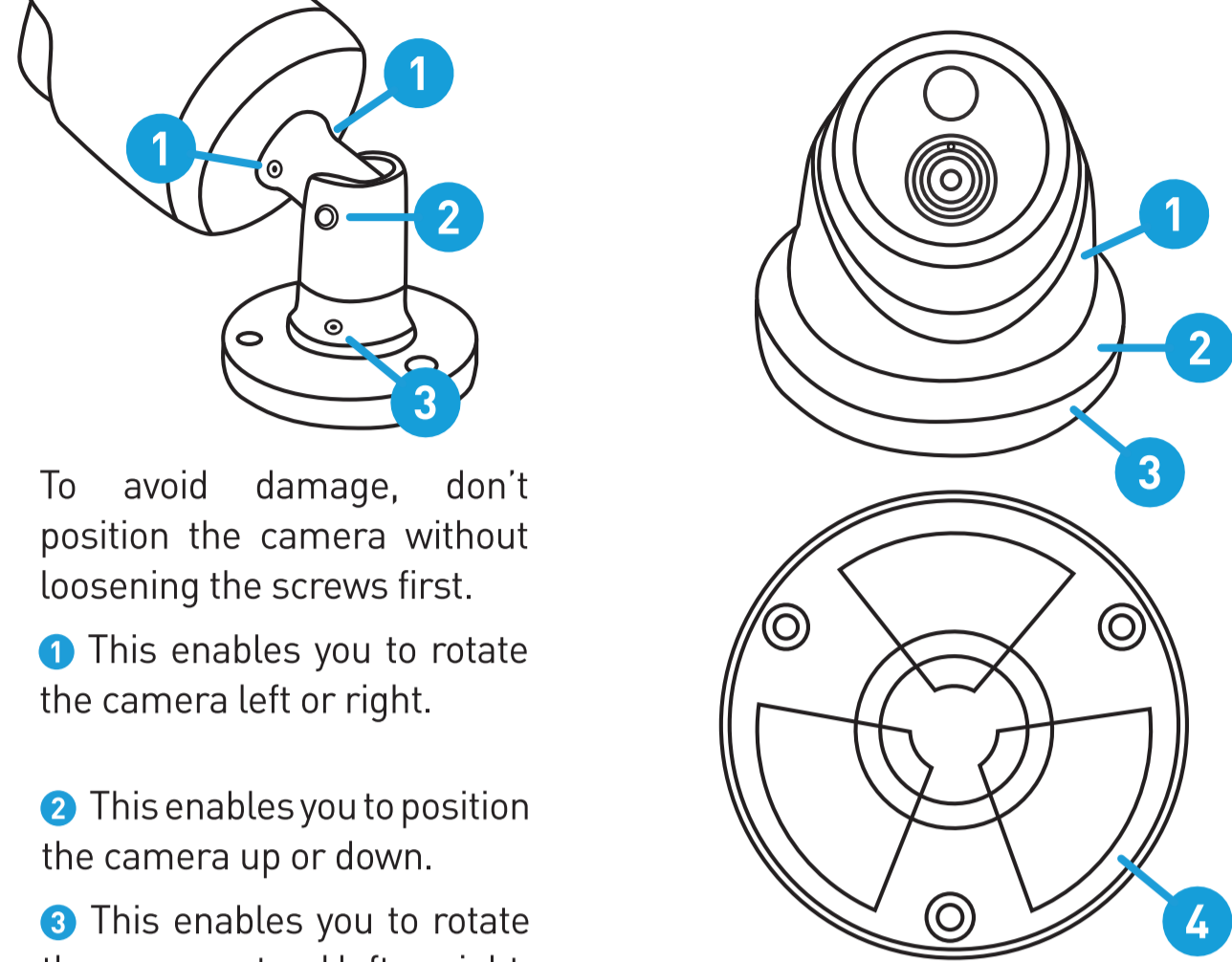
Step Six: Connect your Power Adapter

Connect the supplied power adapter (1) to the power input (2) first then connect the supplied power cable to the other end of the power adapter. Connect the power cable to a power outlet then press the power button (3) to the on position.



Positioning the bullet camera / dome camera

The bullet camera has three points of articulation. Use an Allen key to loosen the screw then adjust to the desired position. Tighten the screw again to secure in place.



To avoid damage, don't position the camera without loosening the screws first.

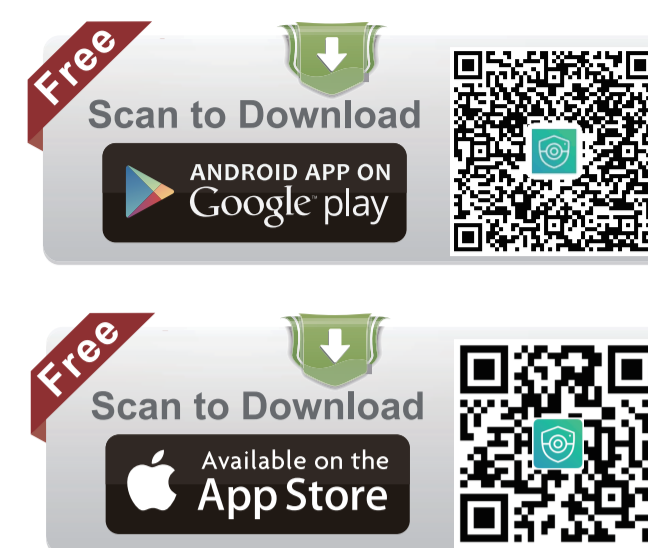
- 1 This enables you to rotate the camera left or right.
- 2 This enables you to position the camera up or down.
- 3 This enables you to rotate the camera stand left or right.

1. Hold the dome enclosure (1) and the dome ring (2) then rotate the mounting bracket (3) clockwise to remove it from the camera.
2. Run the cable as required and using the appropriate screws for the surface you are mounting to, screw the bracket (4) to fasten.
3. Place the camera into the dome enclosure and dome ring and aim the camera to the desired position. After you've finished adjusting the viewing position, rotate the dome ring to the mounting bracket counter clockwise to lock the position in place.

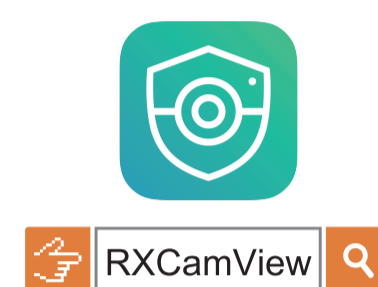
10

Step 1: Mobile Remote - Install RXCamView App

To install the RXCamView app, search "RXCamView" at App Store or Google Play to download it, or you can scan the QR code below to download the app directly.



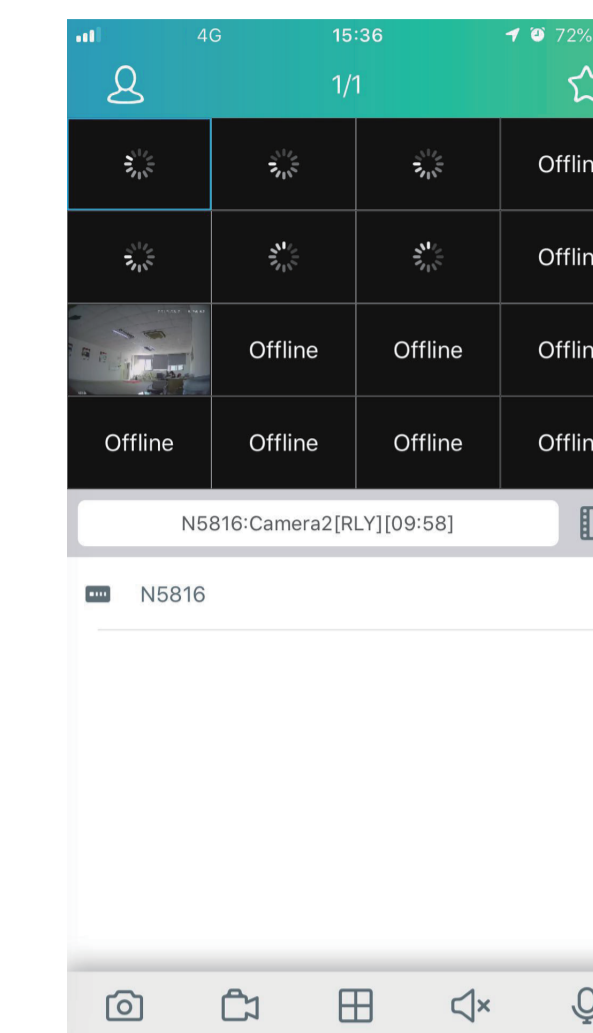
After downloading finished, install and launch the app.



13

Step 4: Mobile Remote - Live View

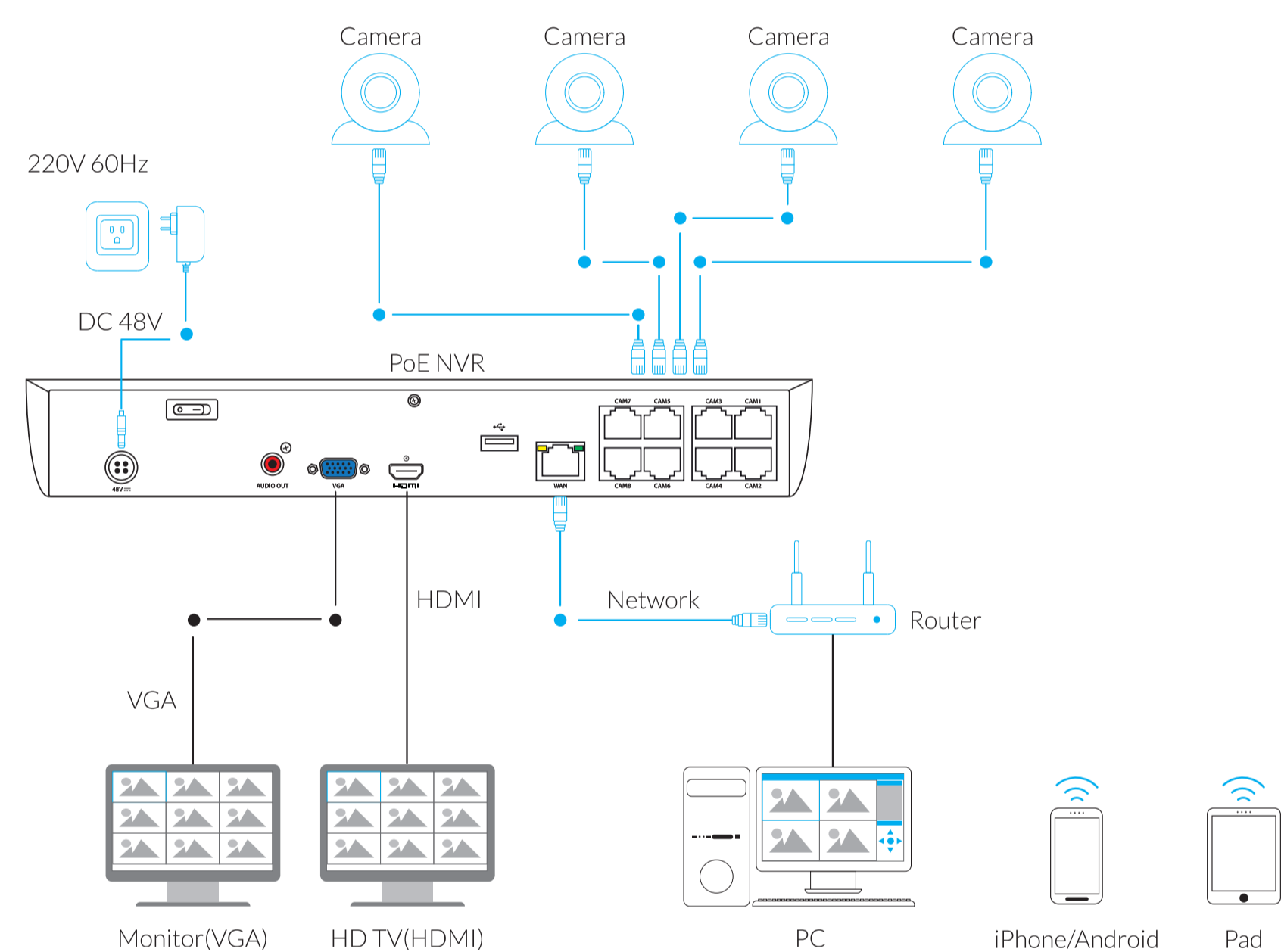
After all settings completed, touch save to save, the app will turn to Live View display if the device is well connected.



- Snap shoot the pictures.
- Record the live view video to your mobile device.
- 4 / 6 / 8 / 9 / 16 pictures display.
- Turn Off / On audio.
- Dual-way speaker (If your DVR support)

16

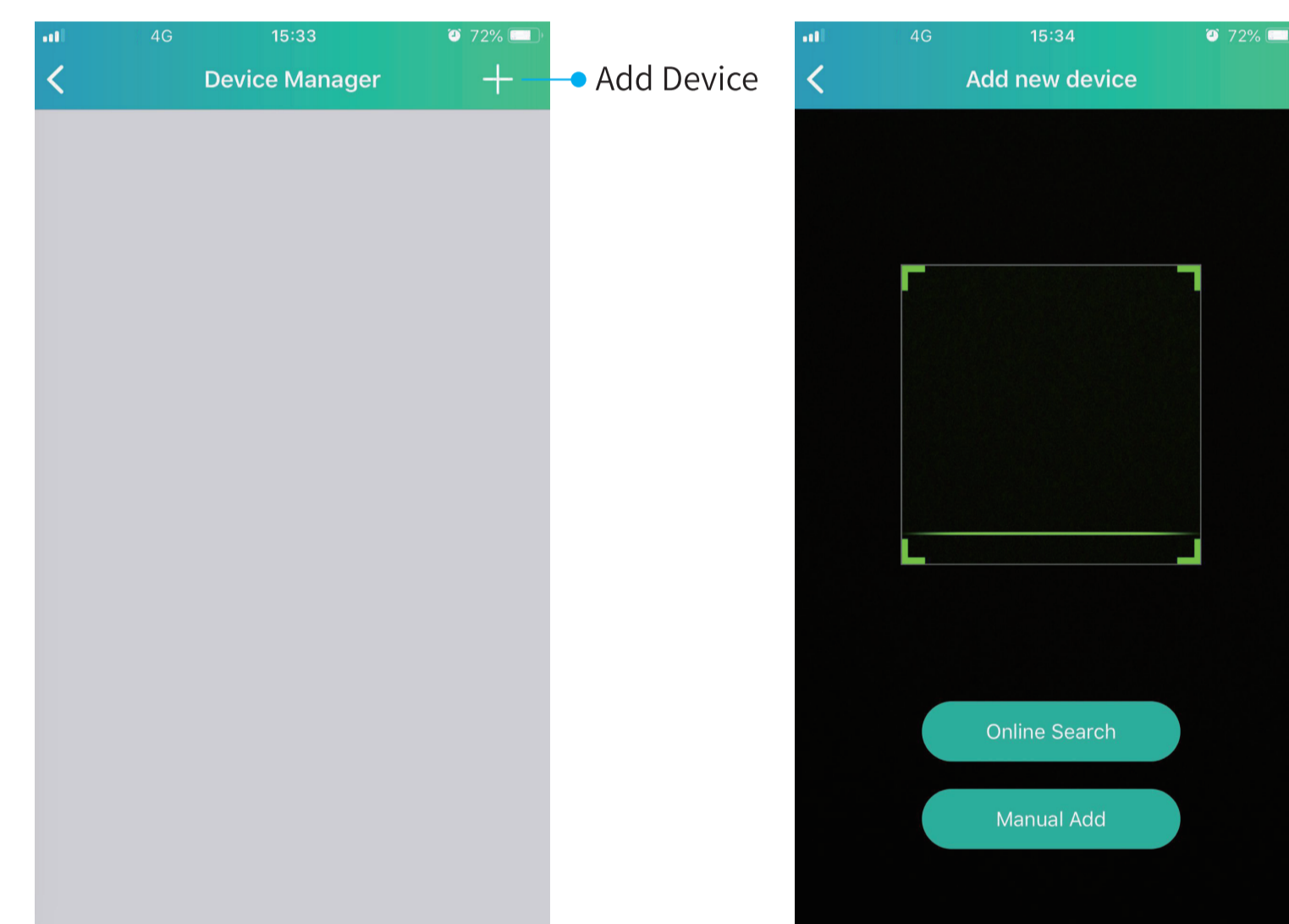
Connection Diagram



11

Step 2: Mobile Remote - Add Device

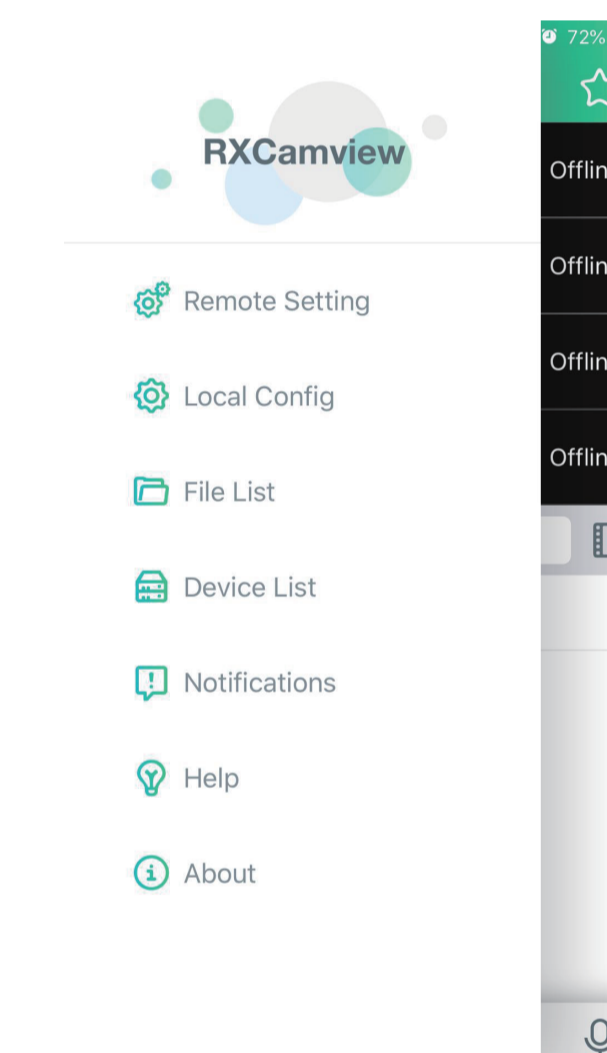
During start-up, you will see the Devices page. Touch the icon to open device list in your LAN (Local Area Network) to add device.



14

Step 5: Mobile Remote - Menu List

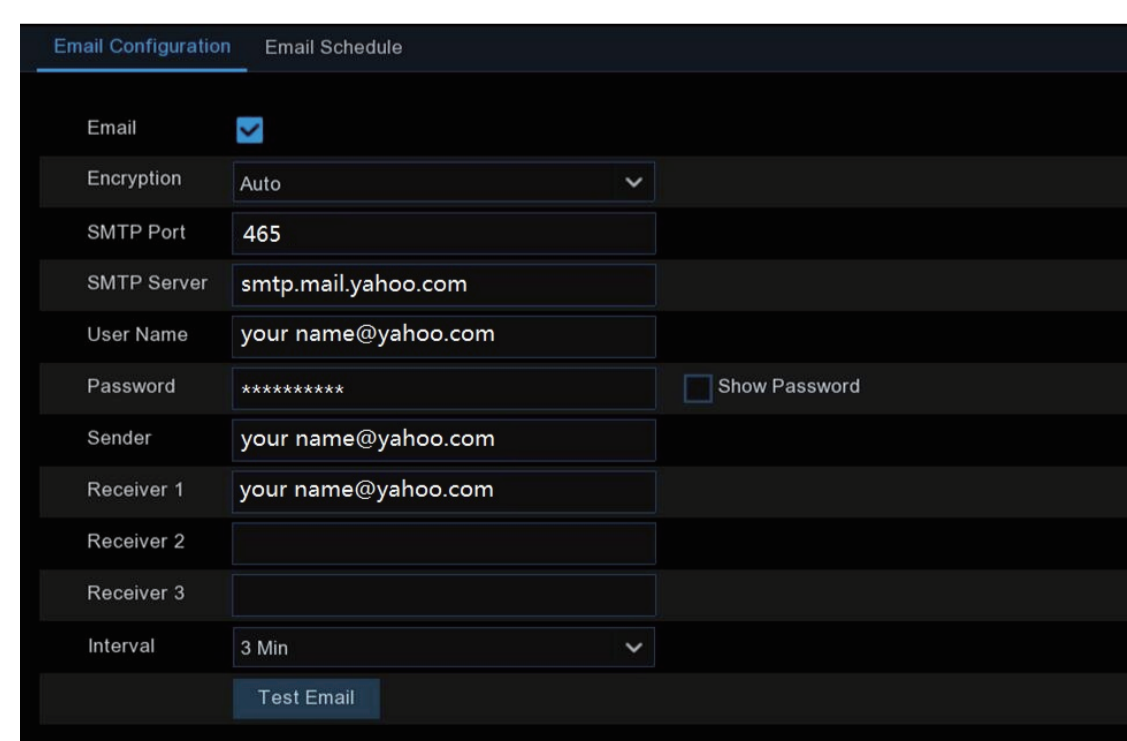
Touch icon to open the Menu list where you can check & configure the live view, playback, local recorded videos, captured pictures, push alarm notifications, device manager, local setting & help documents.



17

Setting Email

"Start Menu" - "Setup" - "Network" - "Email" - "Email Configuration"



- Email:** Check to enable.
- Encryption:** Enable if your email server requires the SSL or TLS verification. If you are not sure, set to be Auto.
- SMTP Port:** Enter the SMTP port of your email server.
- SMTP Server:** Enter the SMTP server address of your email.
- User Name:** Enter your email address.
- Password:** Enter the password of your email.
- Sender:** Enter the SMTP server address of your email.

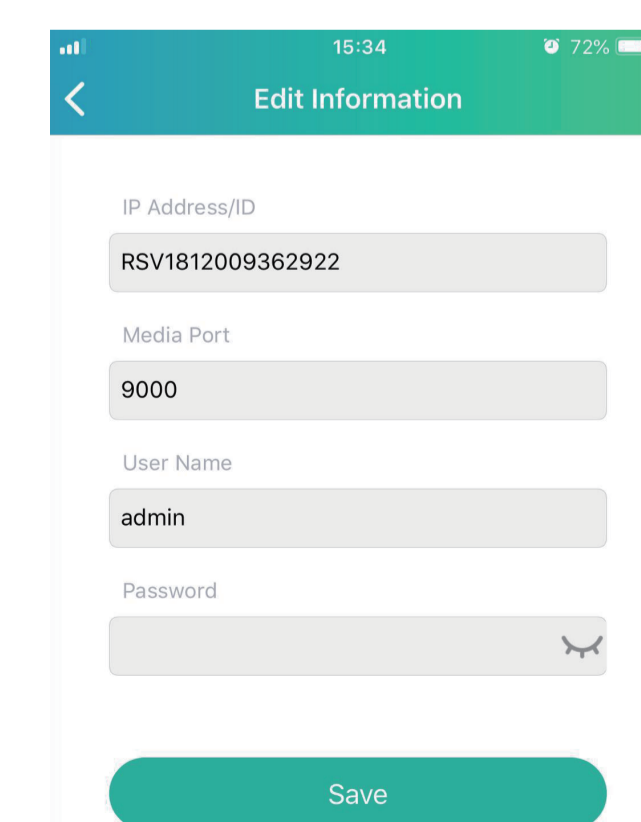
Receiver 1~3: Enter the email address where you want to receive the event notifications from the DVR.
Interval: Configure the length of the time interval between the notification emails from the DVR.

To make sure all settings are correct, click Test Email. The system sends an automated email message to your inbox. If you received the test email, it means the configuration parameters are correct.

12

Step 3: Mobile Remote - Edit Information

Choose **Manual Add** security consideration, you'd better create a password for the first-time use.



- IP Address/ID:** Input the name you want to display.
- Media Port:** Input the media port in DVR network setting.
- User Name:** Input the user name of the DVR.
- Password:** Input the user name of the DVR.

15

Welcome to Tonton

To get started, please follow the Quick Start Guide to set up the RXCamView mobile app, Client software and hardware.

Get Support:

For technical support, you may send E-mail to service@tontonsecurity.com

Get CMS Manual and Software:

You may download the Software and Manual from http://www.tontonsecurity.com/download/page_show_128.html Software (Windows Client, Mac Client), Manual (CMS Opeartion)

Mobile App:

Search "RXCamView" at App Store or Google Play to download

18